

DN114-100, 111.
SERVICE MANUAL 107

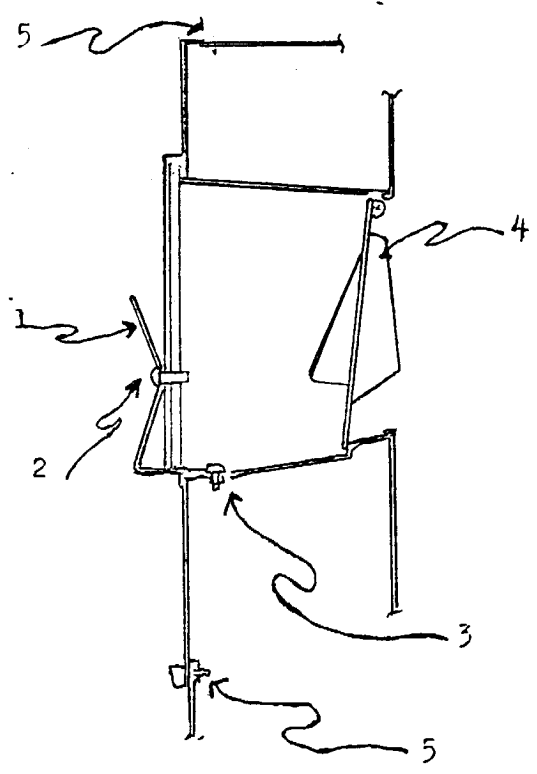
March 11, 1970

APPLIES: All 1969 serpentine models

PART NUMBER: 2/1143,041,600.04

SUBJECT: Installation Instructions - Anti Theft Kit 1969

- TO THIS:
1. Remove old can stop and replace with new Anti-Theft Can Stop.
 2. After mounting new anti-theft can stop, drill 3/16 dia. hole, using holes in can stop as a guide, insert drive-rivet and drive pin flush with rivet head.
 3. Can stop mounting screws are in access area on DN170-5. On DN220-5 and DN295-5 mounting screws are accessible from behind main door. On DN354-6 the front panel has to be removed.
 4. Replace door by removing hinge pins and replacing with new anti-theft door.
 5. Remove on DN354-6 only.



- KIT CONSISTS OF:
- | | |
|------------------------|------------------------------------|
| One (1) 81110-06 | Can Stop - Anti Theft |
| One (1) 81120-05 | Delivery Door - Anti theft |
| Two (2) 900,901,820.01 | Drive Rivet 3/16 dia. x 31/32 long |

DN114-100, 111.
Service Department